



LDT13 Series Interactive Counterbalance Monitor Arm



LDT13 Series

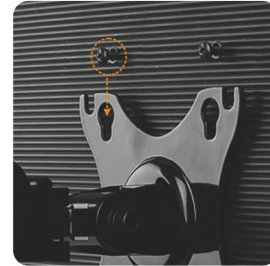
Interactive Counterbalance Monitor Arm

Create space on the desktop and provide a more flexible and productive workspace.

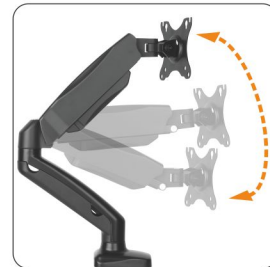


Unique Box Design

Smaller Package Size and Less Paper Waste
Economy and Environmental Purpose



Pear-shaped VESA Slot makes the installation much easier by one-step slide-in.



Gas Spring Counterbalance floats the monitor with a light touch for a customized placement to match your viewing needs anytime.



Built-in Spring Gauge can be adjusted to suit various monitor weight.



Cable Management routes cables under the arm to reduce clutter for a clean look.



2.0 USB Port and Audio Port in the Basement are convenient for supporting data transfer, charging and sound input/output.



Grommet/Desk Mount Base suits most desks with adjustable clamp height.

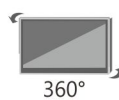
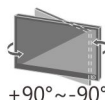
LDT13 Series

Interactive Counterbalance Monitor Arm

MOST
13"-27"
MAX.VESA 100x100

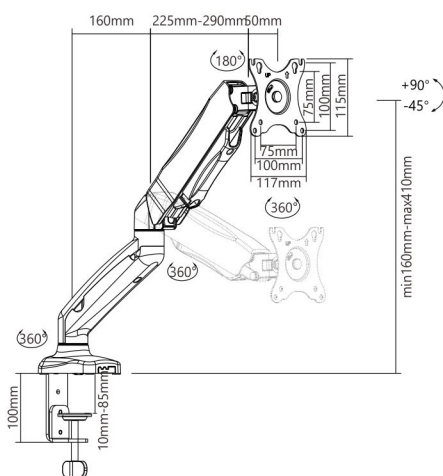
RATED
2-6.5kg
4.4-14.3lbs

VESA
Compatible
75x75
100x100



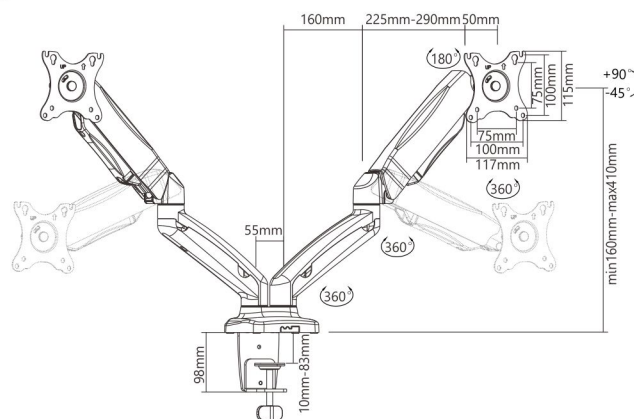
LDT13-C012

450 mm
Arm Extend



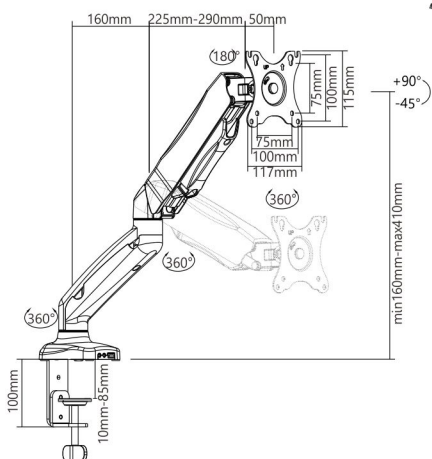
LDT13-C024

450 mm
Arm Extend



LDT13-C012U

450 mm
Arm Extend



LDT13-C024U

450 mm
Arm Extend

